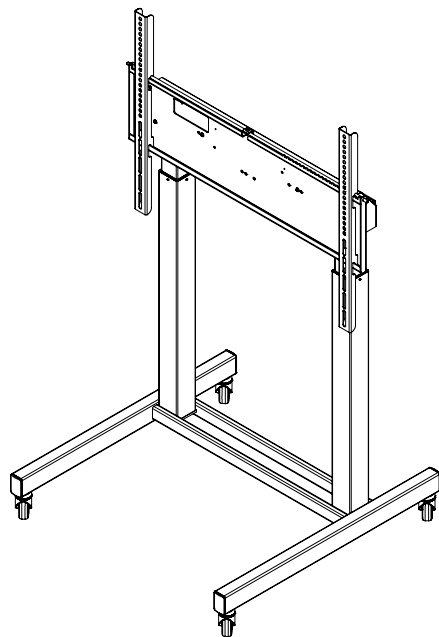
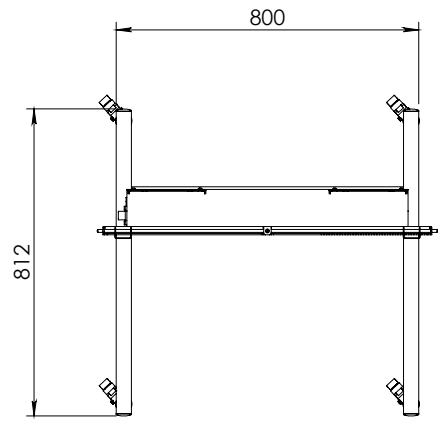
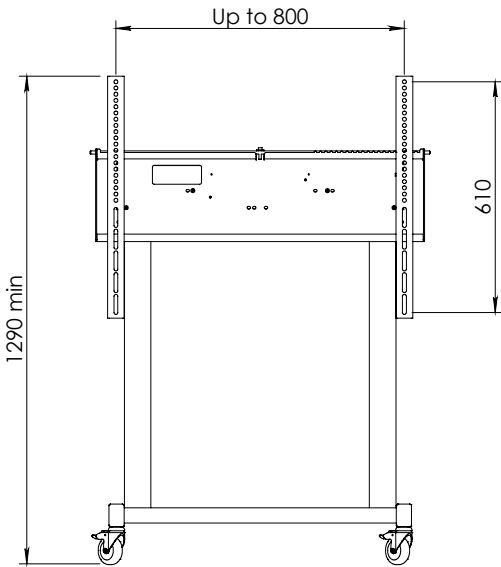
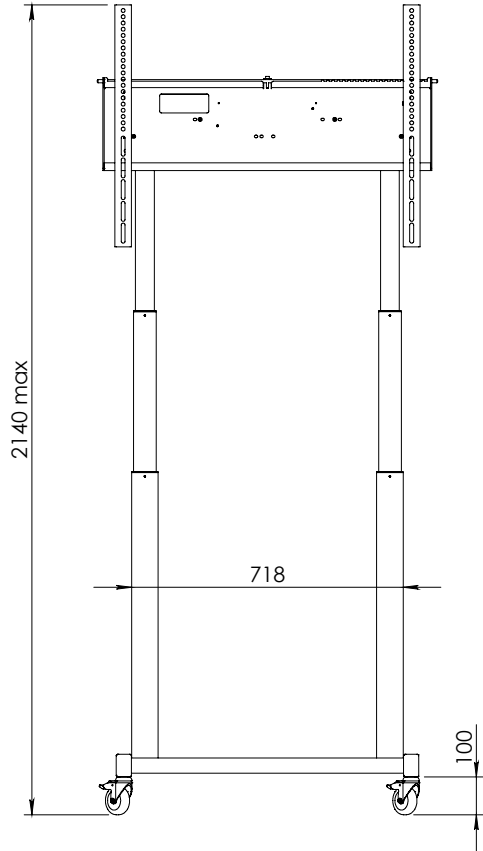


Lifting speed: 60mm/sec
 Lifting capacity: 150kg



				Date: 27.11.2023	Client:		A-CAT-PRO
Drawn by: EG	Sheet no: 1 of 1	Scale: 1:20	Projection type: 	Material: Thicknes:		Weight: 35 kg	
Drawing No. : PWL-009		Description: Screen lift type C				Surface end treatment	
						Paint	Chrom